

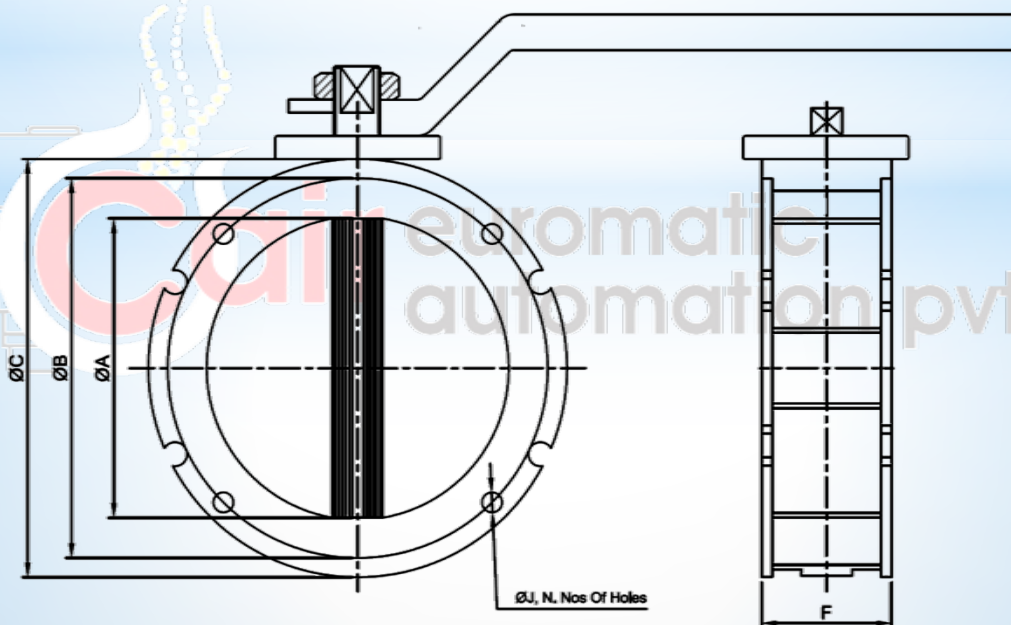
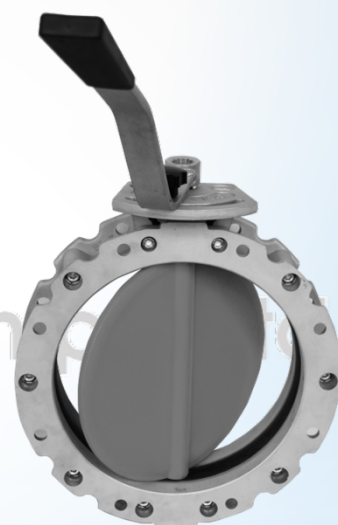
LEVER OPERATED CEMENT BUTTERFLY VALVE



Cair Euromatic Automation Pvt Ltd is leading manufacturer and supplier of Cement Butterfly Valve. This range of valves is specially designed for cement application. It's quality raw materials and state-of-art technologies under the supervision of our adroit professionals. Cement Butterfly valves are widely acknowledged for its attributes such as optimum quality, sturdy structure, high durability. Our Cement Butterfly Valve is extensively used in concrete Batching plants & Cement Plant.

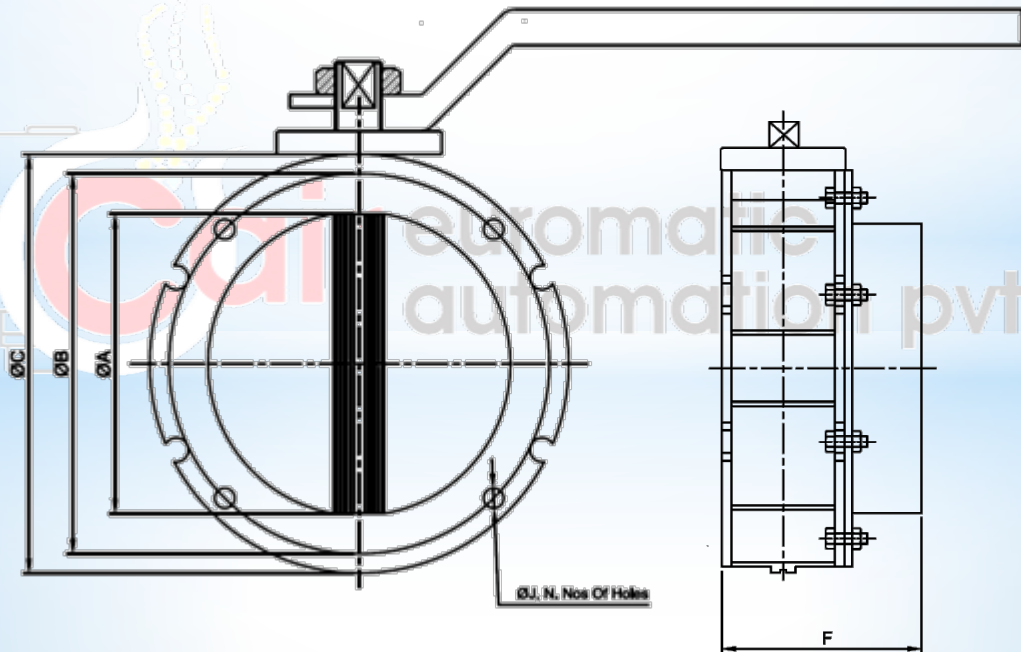
The butterfly valve is composed of two by gravity casting into half body composition, half body for aluminium alloy material, the rotary valve plate is made of high polymer materials, has good sealing. The top and bottom the same round flange, with a top flange and a flange member, applicable to a flexible sleeve.

CEMENT DOUBLE FLANGED BUTTERFLY VALVE	
BODY	CAST ALLUMINIUM ALLOY
DISC	WCB WITH EPOXY COATED
STEM	M.S.
WORK. PRESS.	0.2 TO 6 Bar
TEMP.	UP TO 80 °C



TYPE	SIZE	ØA	ØB	ØC	F	ØJ	N
LDBF-100	4"	95	180	220	77	Ø14	4
LDBF-150	6"	150	200	228	77	Ø14	4
LDBF-200	8"	200	250	278	77	Ø14	4
LDBF-250	10"	250	300	328	77	Ø14	8
LDBF-300	12"	300	350	378	77	Ø14	8
LDBF-350	14"	350	400	440	85	Ø14	8
LDBF-400	16"	400	470	530	85	Ø14	8

CEMENT SINGLE FLANGED BUTTERFLY VALVE	
BODY	CAST ALLUMINIUM ALLOY
DISC	WCB WITH EPOXY COATED
STEM	M.S.
WORK. PRESS.	0.2 TO 6 Bar
TEMP.	UP TO 80 °C



TYPE	SIZE	ØA	ØB	ØC	F	ØJ	N
LSBV-100	4"	95	180	220	115	Ø14	4
LSBV-150	6"	150	200	228	115	Ø14	4
LSBV-200	8"	200	250	278	115	Ø14	4
LSBV-250	10"	250	300	328	115	Ø14	8
LSBV-300	12"	300	350	378	115	Ø14	8
LSBV-350	14"	350	400	440	123	Ø14	8
LSBV-400	16"	400	470	530	123	Ø14	8



ISO 9001 : 2015 Certified Company



www.cairindia.com